

Makros

für



cncCUT



ncCAD32



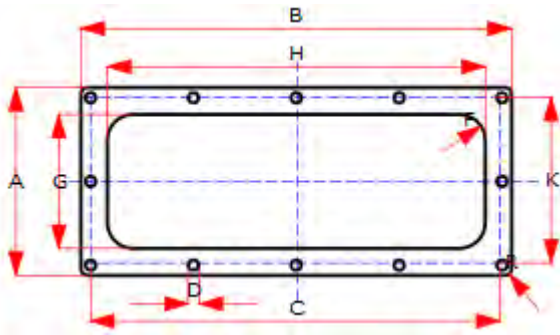
BLECHCENTER Plus

Übersicht

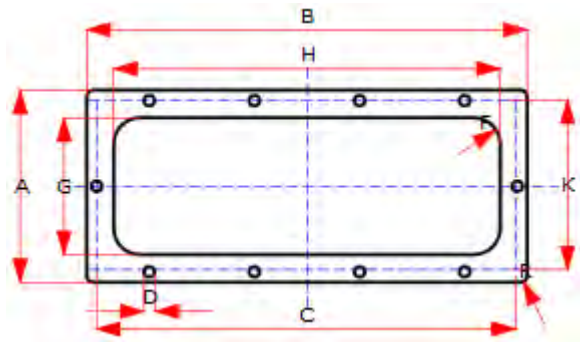


IBE Software GmbH; Friedrich-Paffrath-Straße 41; 26389 Wilhelmshaven

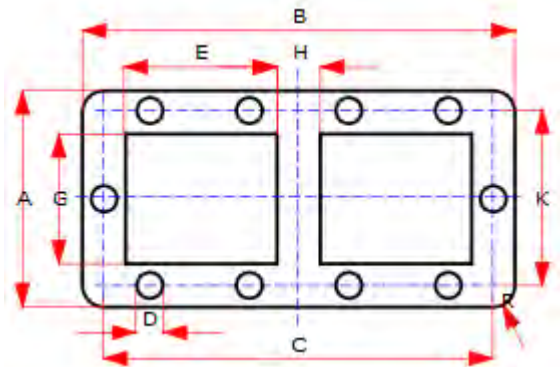
Fon: 04421-994357; Fax: 04421-994371; www.ibe-software.de; Info@ibe-software.de



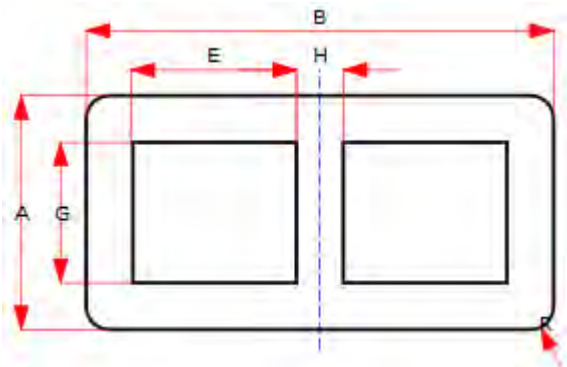
M_051



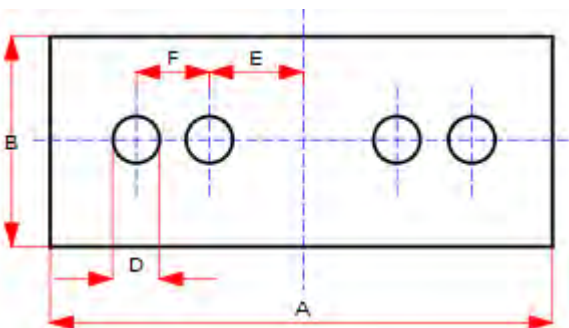
M_052



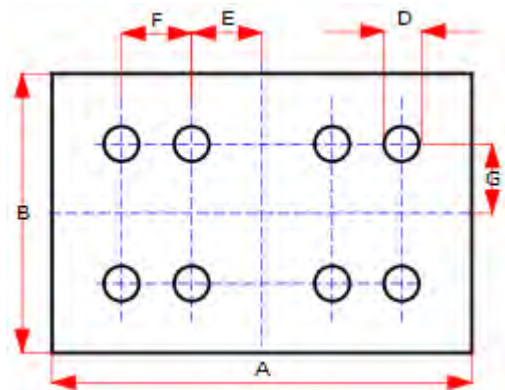
M_053



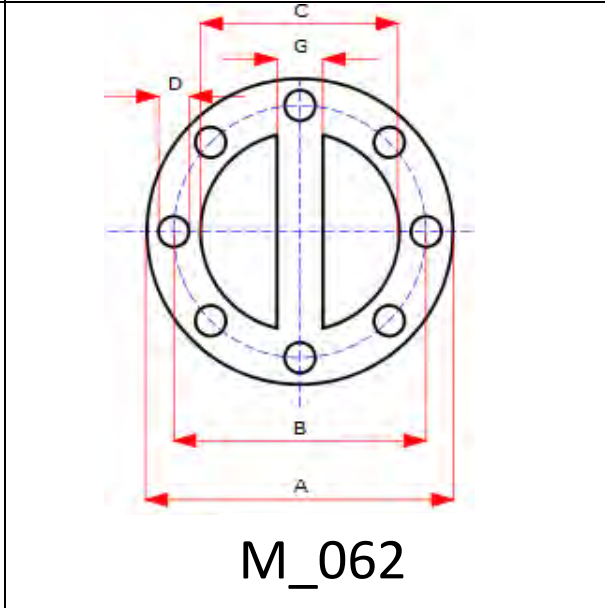
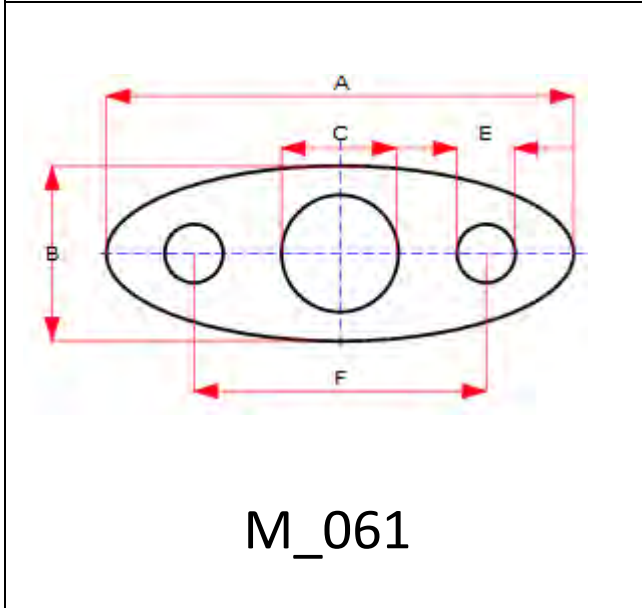
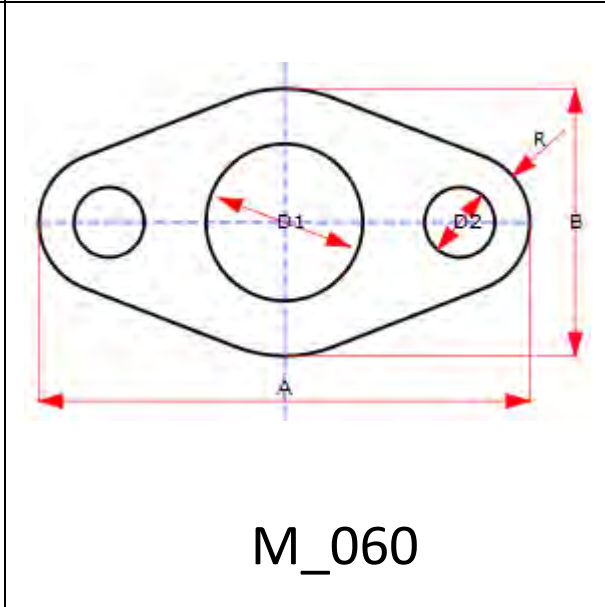
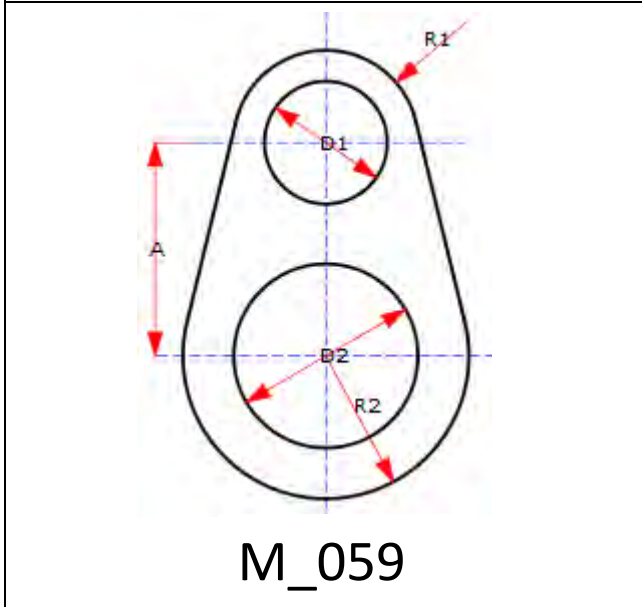
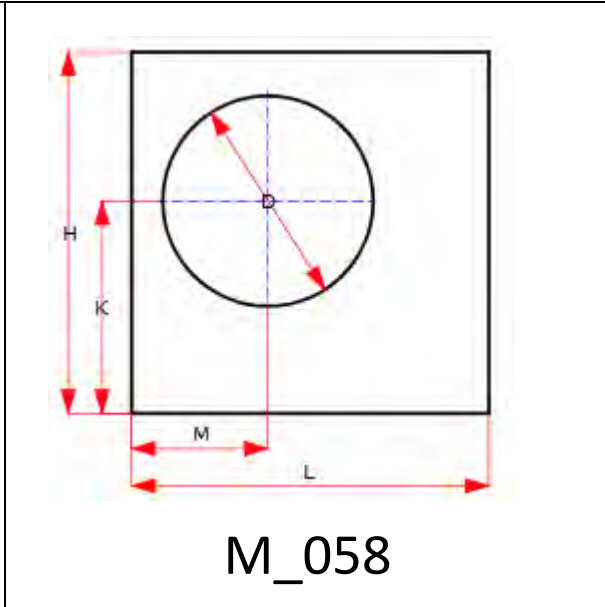
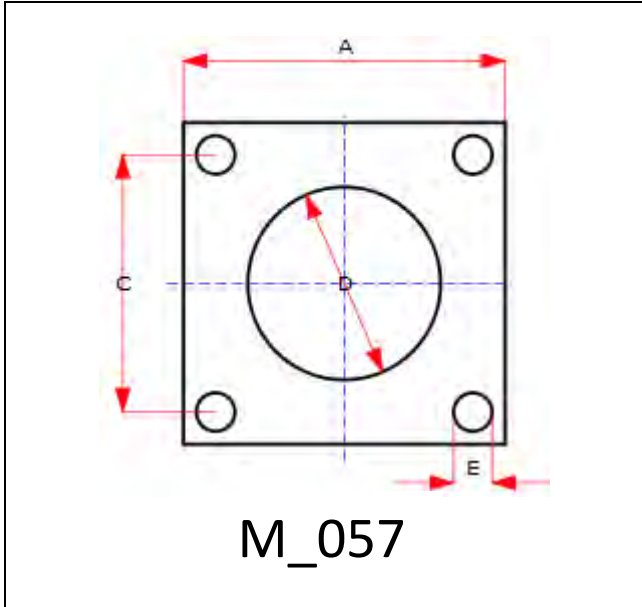
M_054

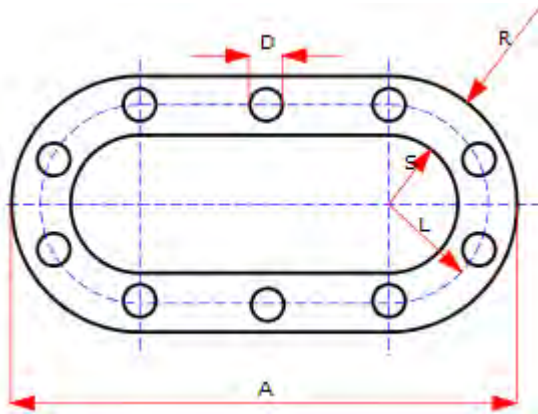


M_055

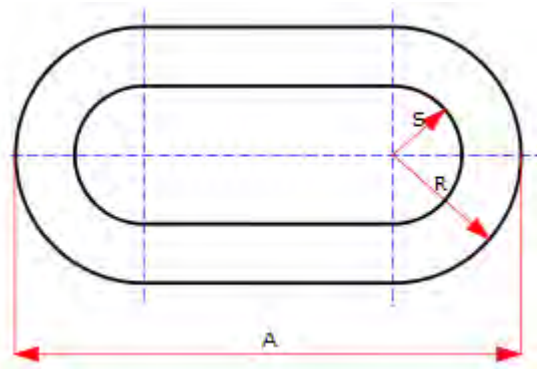


M_056

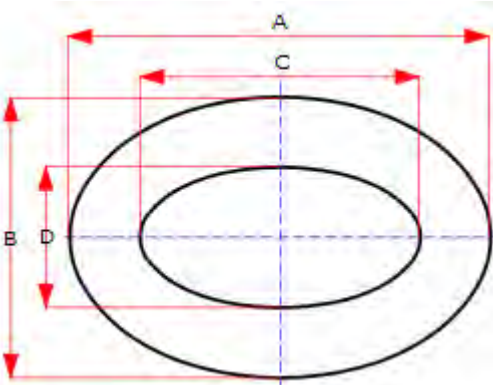




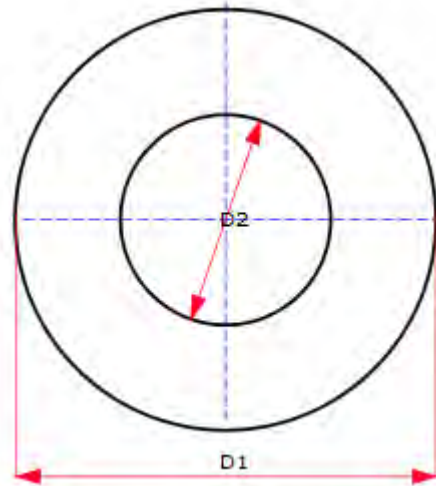
M_063



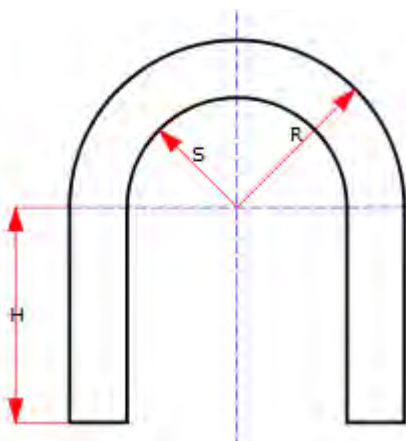
M_064



M_065

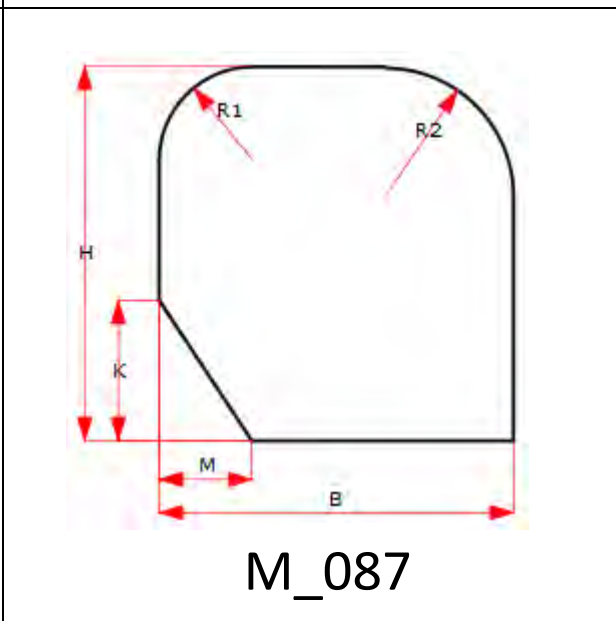
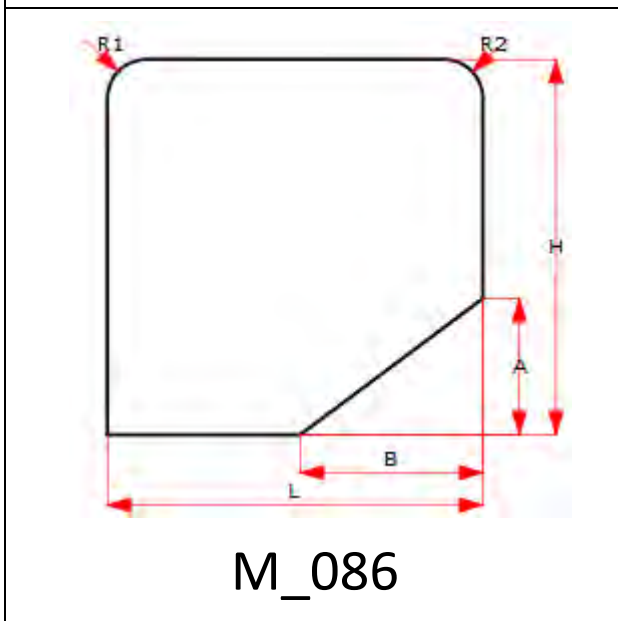
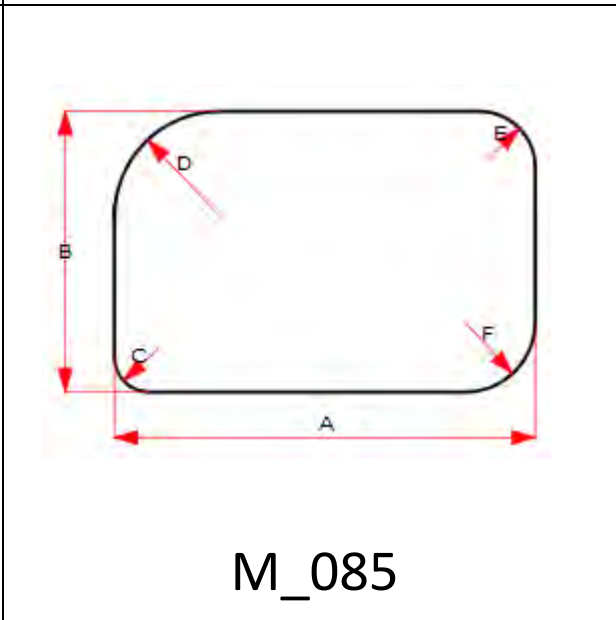
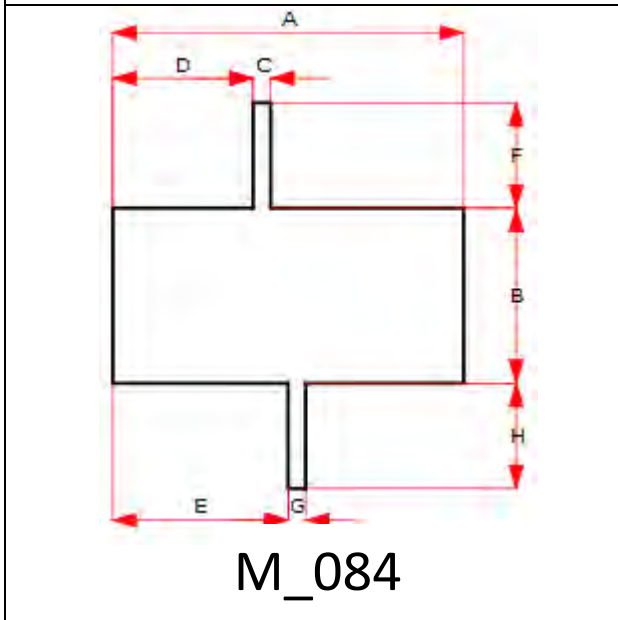
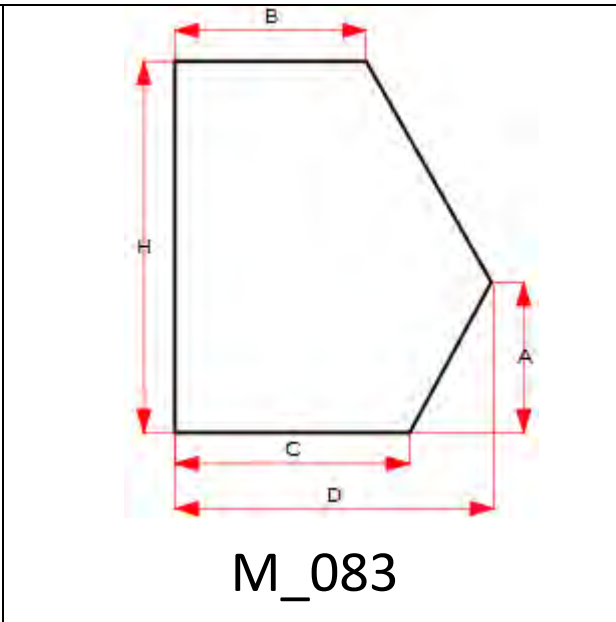
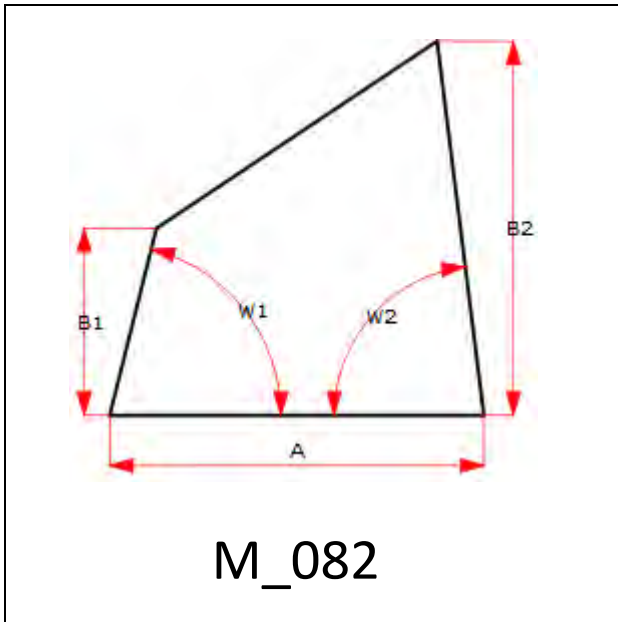


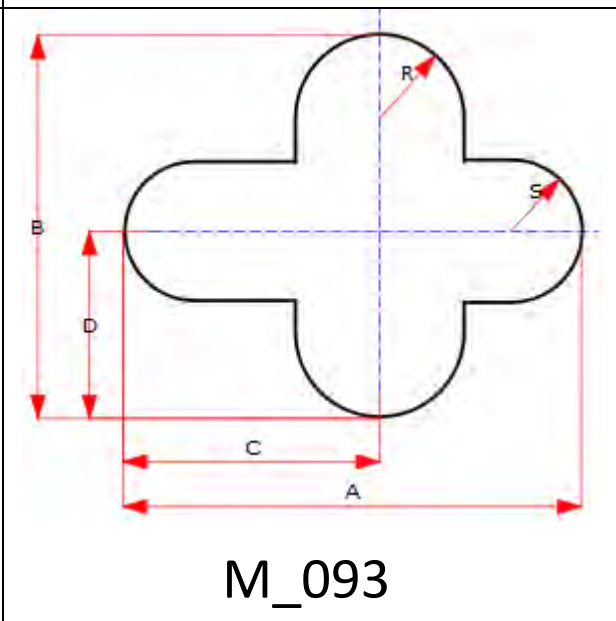
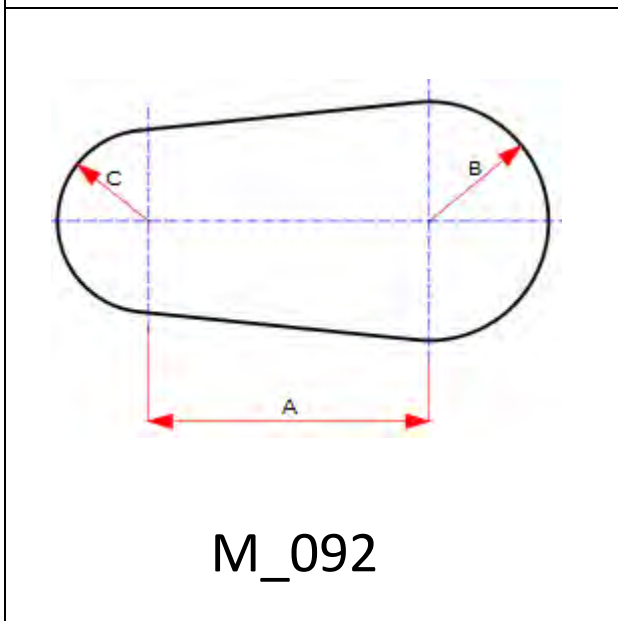
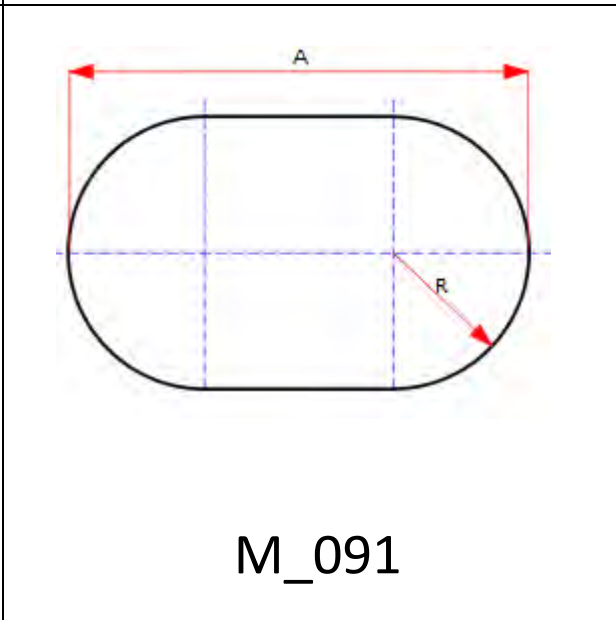
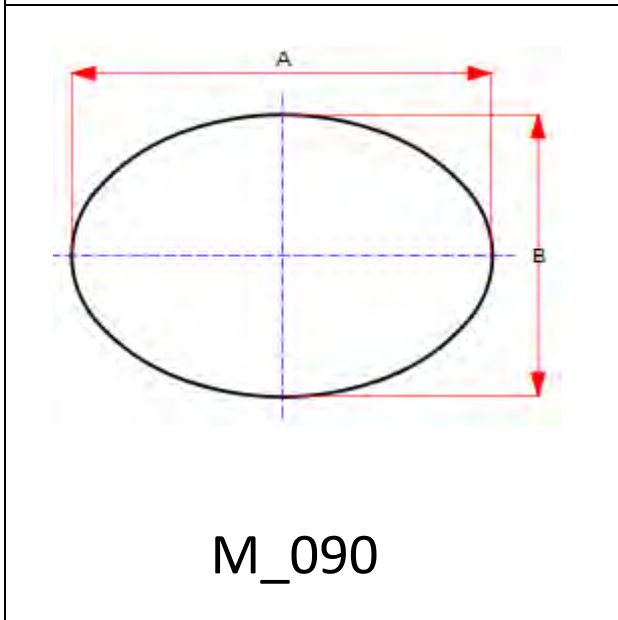
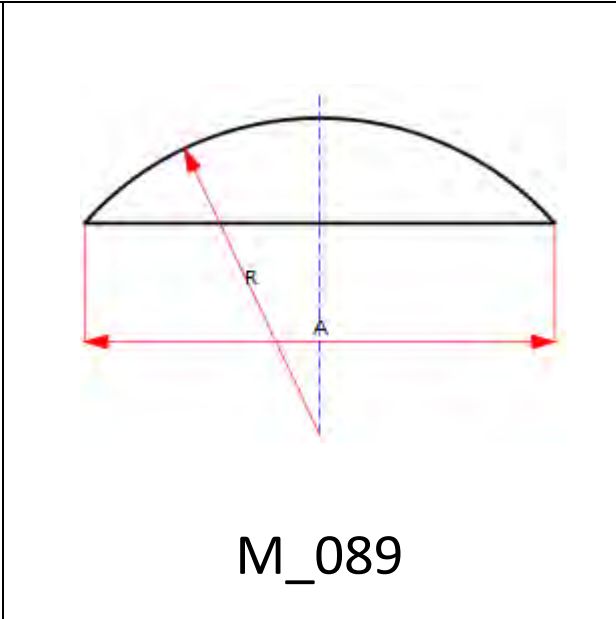
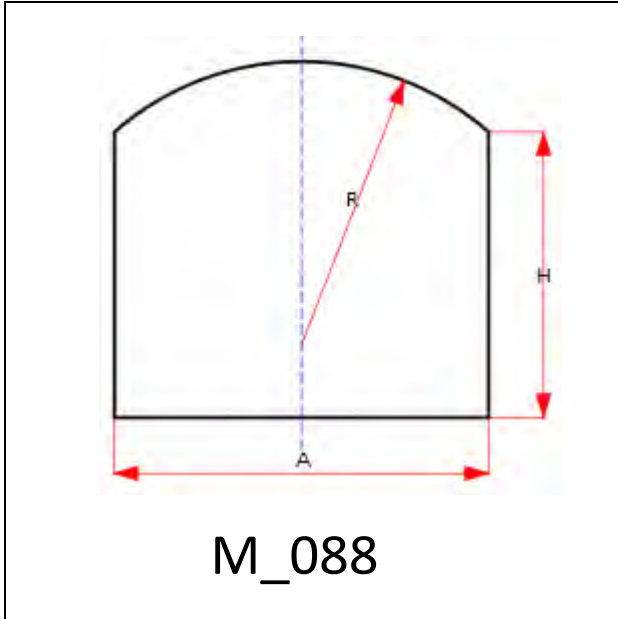
M_066

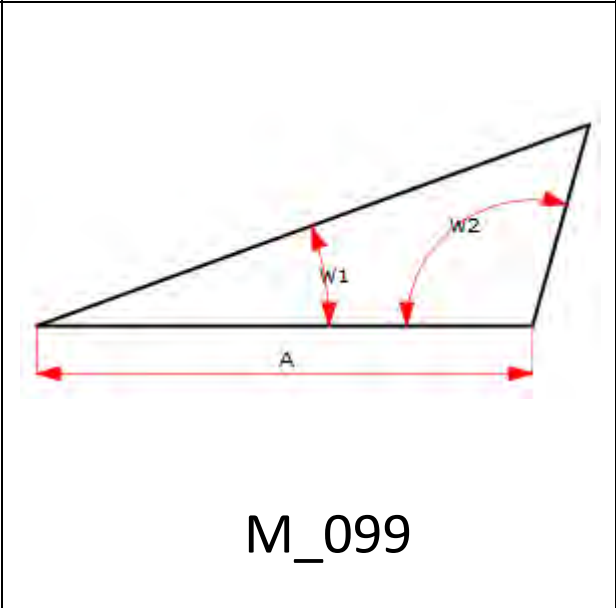
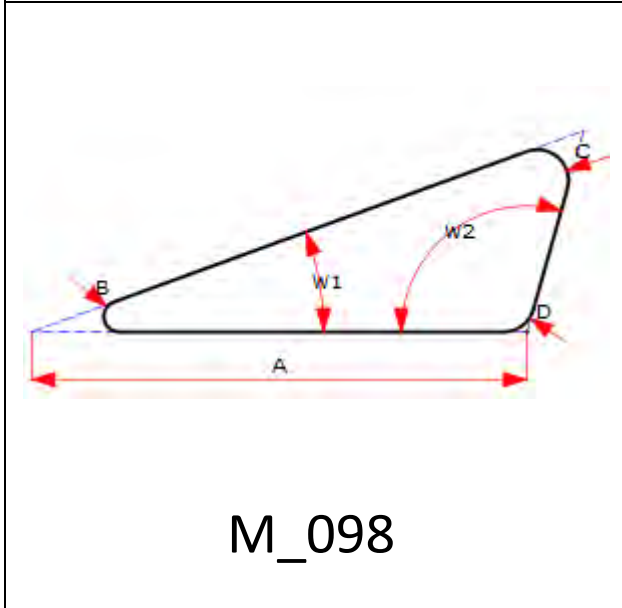
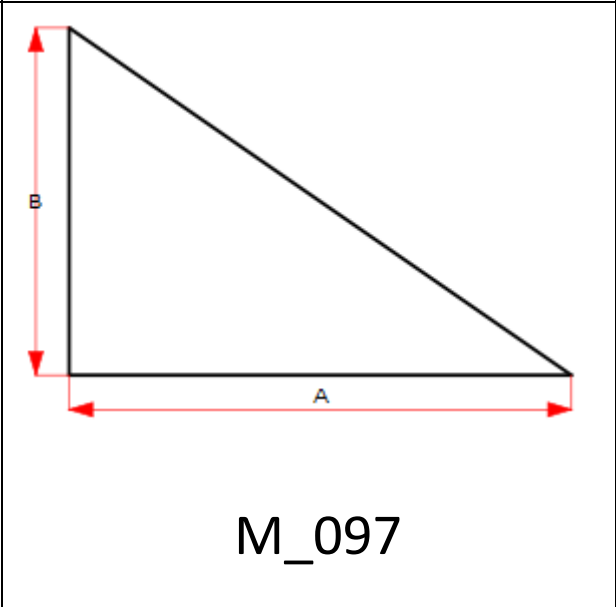
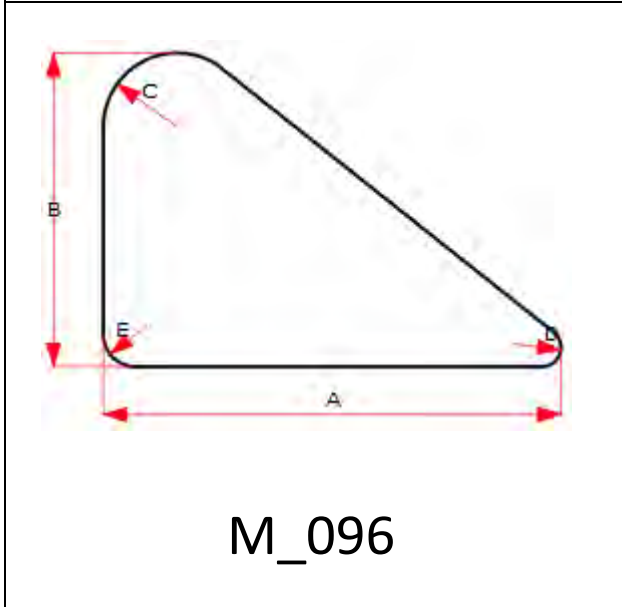
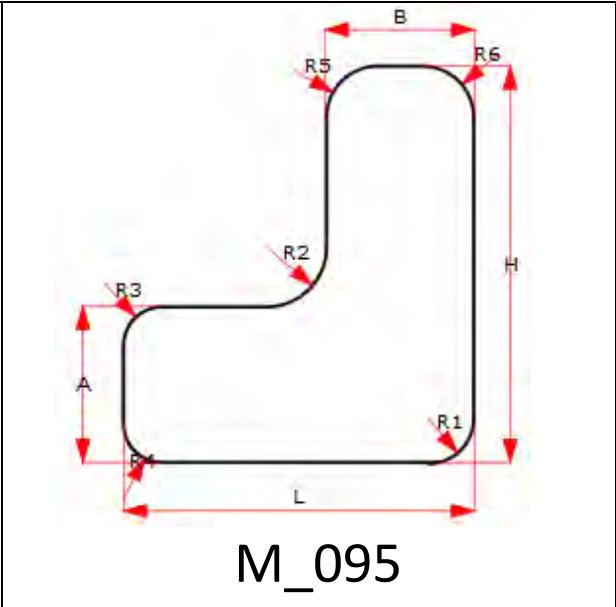
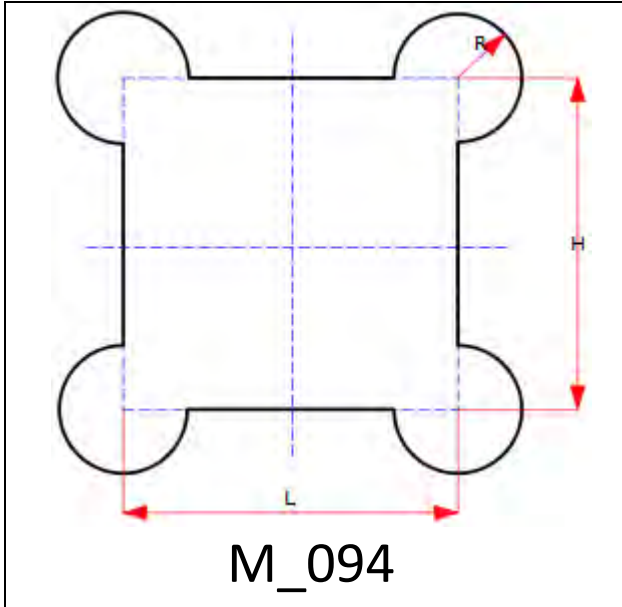


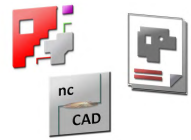
M_067

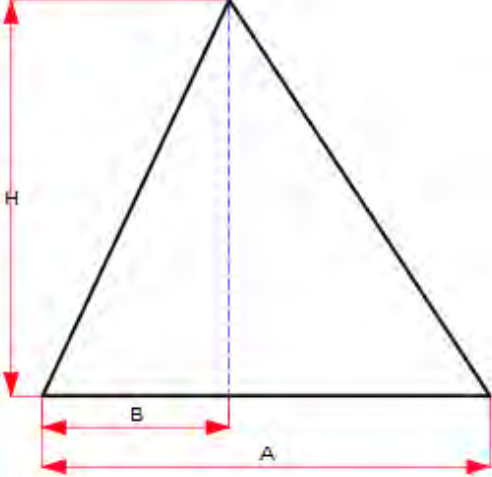
<p style="text-align: center;">M_076</p>	<p style="text-align: center;">M_077</p>
<p style="text-align: center;">M_078</p>	<p style="text-align: center;">M_079</p>
<p style="text-align: center;">M_080</p>	<p style="text-align: center;">M_081</p>









 <p>M_100</p>	

<p style="text-align: center;">M_101</p>	<p style="text-align: center;">M_102</p>
<p style="text-align: center;">M_103</p>	<p style="text-align: center;">M_104</p>
<p style="text-align: center;">M_105</p>	<p style="text-align: center;">M_106</p>

